

for more information, please contact us:



**UD. SUMBER REJEKI (balicoolers.com)**

THE BEST PROVIDER FOR YOUR REFRIGERATION AND KITCHEN EQUIPMENT

**HEAD OFFICE AND SHOWROOM**

Jl. Gatot Subroto Barat No. 439 Denpasar Bali

081338999983 (HP / WA / SMS)

sumberrejekibali@gmail.com

balicoolers@gmail.com

info@balicoolers.com

**Aplikasi:**

Perusahaan pengolahan : Daging,  
Seafood, Catering dan Restoran, Hotel

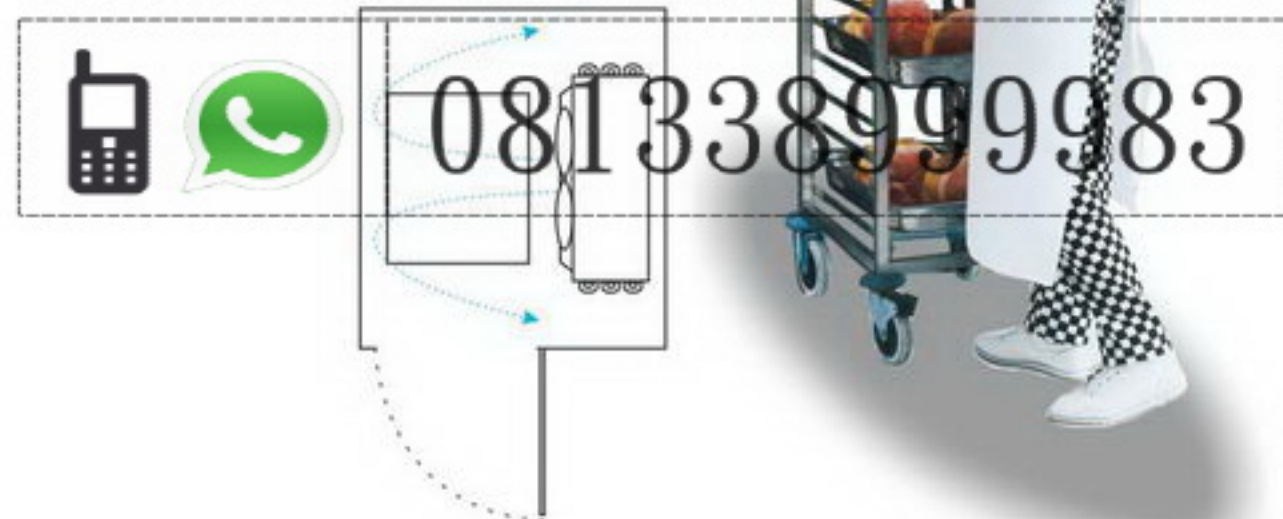


**SL-068**  
(3 Turbo Blower)

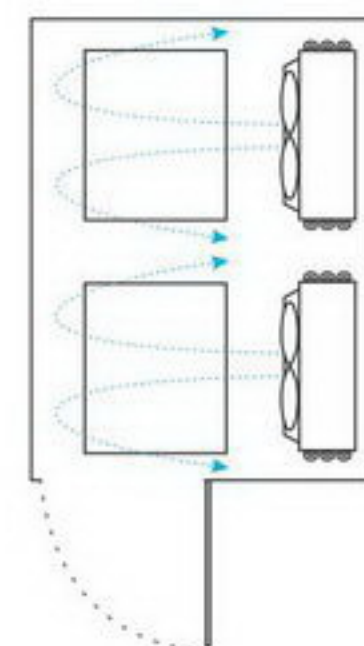


**BF-1T**  
(3 Turbo Blower)  
+ 1 Trolley

081338999983



**BF-2T**  
(6 Turbo Blower)  
+ 2 Trolley



**Blast Freezer adalah unit pembeku cepat yang berfungsi :**

- Mencegah berkurangnya kandungan cairan dalam daging / seafood (menjaga kelembaban produk tetap tinggi)
- Mencegah perubahan warna dan rasa pada daging / ikan
- Mencegah berkembang biaknya bakteri

**Fitur BF-1T / 2T :**

- Lantai bordes
- Tebal dinding 10 CM
- Memakai **Trolley** ukuran : 47 x 62 x 140 CM (Isi 12 Pan ukuran 40 x 60 CM)
- Harga termasuk Trolley

**Note :**

Produk yang akan dibekukan dengan suhu awal 30°C, dapat dibekukan menjadi -20°C dalam waktu 6 ~ 8 jam

TYPE	DIMENSI (MM)			KAPASITAS PEMBEKUAN/CYCLE	VOLUME (L)	DAYA LISTRIK		KOMPRESOR	REFRIGERAN	TEMPERATUR	BERAT (KG)	ORIGIN
	P	L	T			WATT	VOLTAGE					
SL-068	680	730	2050	30 ~ 50 KG	315	1.800	380V/3P	Danfoss Maneurop	R404	-20 ~ -35°C	120	RRC
BF-1T	1250	1210	2360	60 ~ 80 KG	1.130	2.200	380V/3P	Bitzer 3 PK	R404	-20 ~ -35°C	410	RRC
BF-2T	1250	1635	2390	120 ~ 160 KG	1.600	3.380	380V/3P	Bitzer 4 PK	R404	-20 ~ -35°C	495	RRC



## ISLAND SALAD BAR



M-H1570FL4T



M-H1900FL5T

**HARGA TIDAK TERMASUK GN PAN**

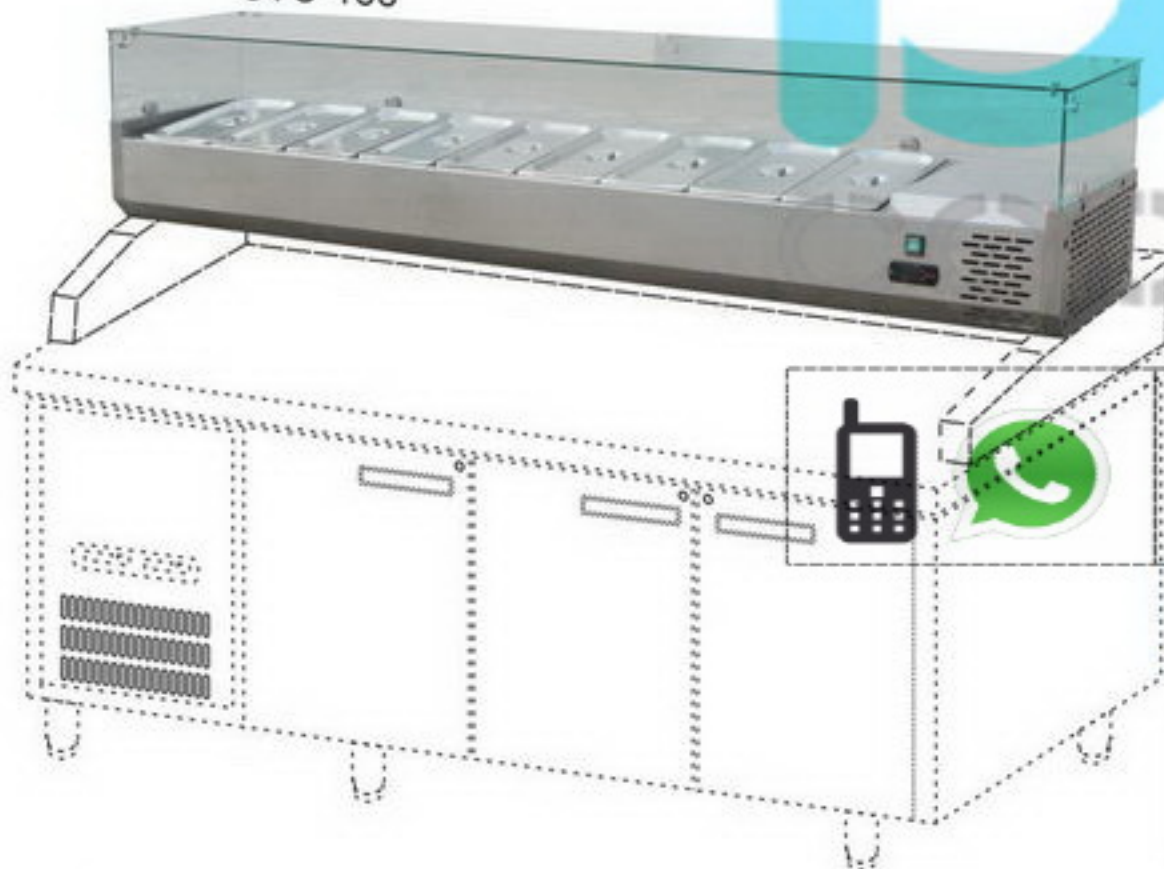
**Features:**

- Ventilated cooling system
- Wooden case
- Lighted canopy

TYPE	DIMENSI (MM)			GN PAN (PCS)	VOLUME (L)	SUHU (°C)	REFRIGERANT	WATT	BERAT (KG)	ORIGIN
	P	L	T							
M-H1570FL4T	1570	800	1310	4 x GN 1/1 8 x GN 1/2	69	+2~+8	R134a	520	120	RRC
M-H1900FL5T	1900	800	1310	5 x GN 1/1 10 x GN 1/2	87	+2~+8		705	135	RRC

## S/S COUNTER TOP SALAD CASE

STC-188



Kabinet yang biasanya diletakkan di atas Under Counter untuk salad dan topping, tidak perlu melubangi meja kerja Under Counter.

**Fitur:**

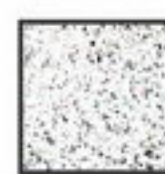
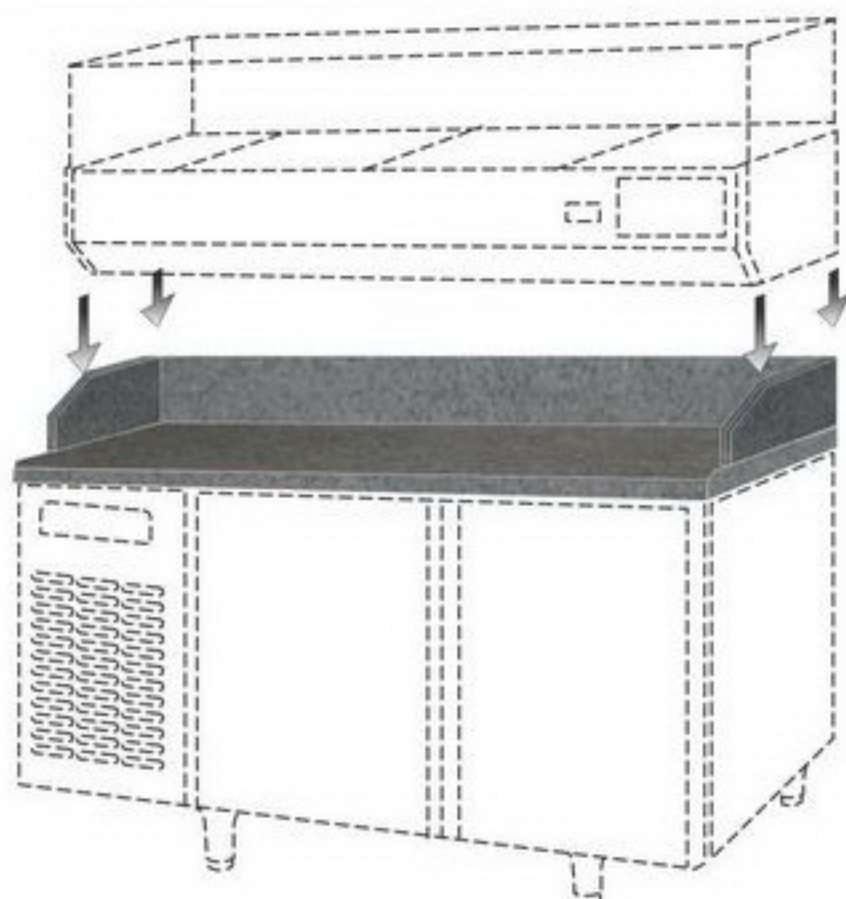
- Digital controller
- S/s body
- High density insulation
- Embraco Compressor
- Static cooling



081338000983 **Sudah termasuk GN Pan + Cover**

TYPE	DIMENSI (MM)			VOLUME (L)	SUHU	WATT 220V/50Hz	GN PAN (GN1/4-4)	REFRIGERANT	WEIGHT (KG)	ORIGIN
	PANJANG	LEBAR	TINGGI							
STC-120	1200	335	430	32	0~+10°C	145	5 pcs	R134a	34	RRC
STC-142	1420	335	430	40		145	6 pcs		38	
STC-150	1500	335	430	44		145	7 pcs		40	
STC-180	1800	335	430	55		145	9 pcs		46	
STC-188	1885	338	430	58		145	9 pcs		46	

## MARBLE TOP COUNTER FOR SALAD CASE



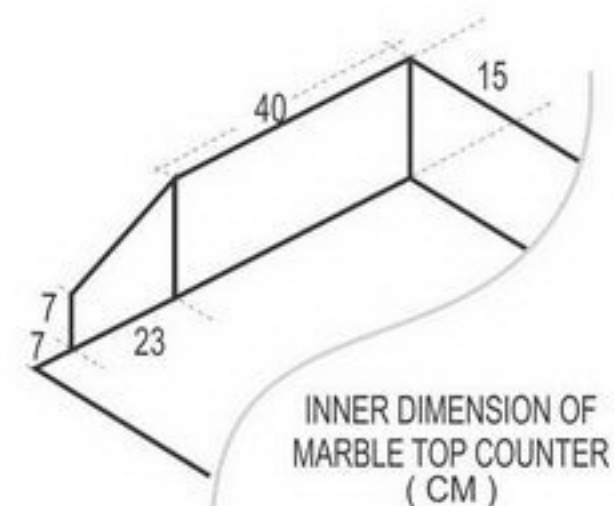
StarWhite



Nero (Black)



Hazel White (Whiteyellowish)



TYPE
For M-RW6T2HH
For M-RW6T3HHH



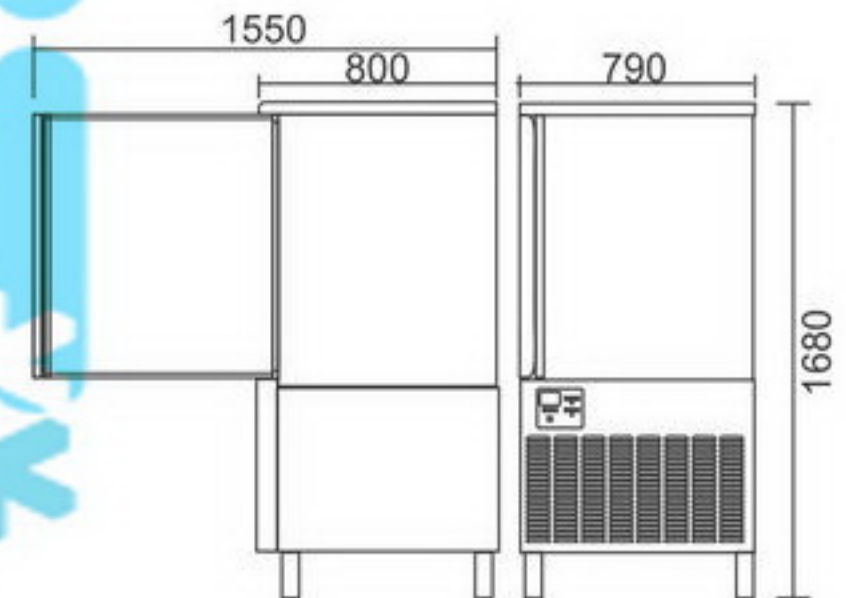
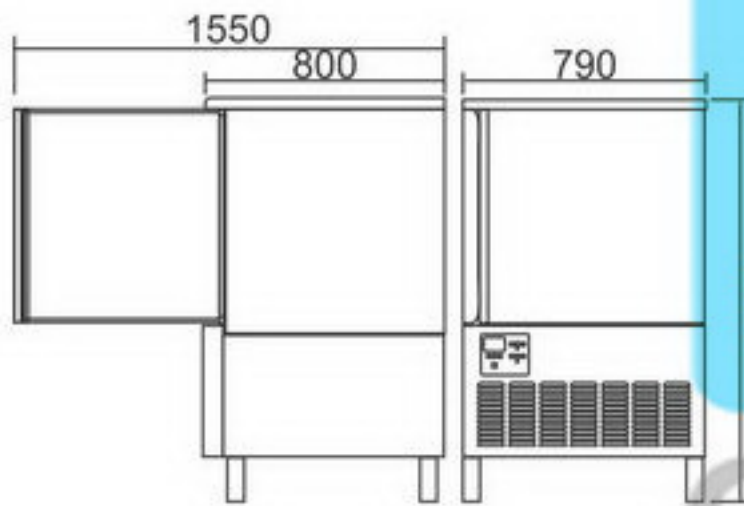
Untuk menurunkan suhu dengan cepat berbagai jenis produk makanan (siap saji, daging segar, sayuran, adonan roti dan lain sebagainya) secara merata hingga ke bagian dalam produk untuk menjaga kualitas / kesegaran produk baik tekstur, warna, aroma tetap optimal sebelum diolah lebih lanjut, disimpan, disajikan.

Alat ini digunakan pada dapur komersial Hotel, Resto, Bakery dan Katering yang menyajikan produk berkualitas.

**Fungsi Blast Chiller** mampu menurunkan suhu produk dari +90°C menjadi +3°C dalam waktu 90 menit

**Fungsi Shock Freezer** mampu menurunkan suhu produk dari +90°C menjadi -18°C dalam waktu 240 menit

Dilengkapi dengan jarum sensor untuk mendeteksi suhu produk bagian dalam (tengah). Rak bisa diatur ketinggiannya dan dengan ukuran sesuai untuk Gastronom Pan 1/1 atau Bakery Pan 400x600mm



**AK08-D**



**AK11-D**



081 338999983

MODEL	DIMENSI (MM)			VOLUME (L)	WATT	VOLTASE	REFR.	JUMLAH RAK	BERAT (KG)	ORIGIN
	P	L	T							
AK08-D	790	800	1320	315	2100	380V/3P	R404a	8	142	RRC
AK11-D	790	800	1680	400	2850	380V/3P		11	170	RRC

## S/S DOUGH RETARDER CABINET



**DRC-550-1D**

- Fitur:**
- Digital controller
  - External LED lamp
  - Strong magnetic gasket
  - Castor with brake
  - Monoblock cooling system
  - Extra-thick insulation
  - 15 guide for pastry pan 60x40
  - Round edge and corner
  - Lock and key

Tidak Termasuk Loyang

Kabinet pendingin ini dirancang untuk menyimpan adonan roti agar tidak terjadi pengembangan, sebagai persediaan stock pada jam-jam sibuk.



TYPE	DIMENSI (MM)			VOLUME (L)	SUHU	WATT 220V/1P/50Hz	REFRIGERANT	WEIGHT (KG)	ORIGIN
	PANJANG	LEBAR	TINGGI						
DRC-550-1D	700	820	2050	550	-2~+10°C	350 W	R134a	112	RRC

## COMBI GLASS DOOR COOLER - FREEZER



- Fitur:**
- Static cooling system
  - Lampu LED untuk cooler
  - Refrigerant: R134a
  - 2 compressor (masing-masing untuk chiller dan freezer Q1000-L4S dan Q1600-L6S)
  - Digital Thermostat
  - Body: Stainless steel
  - Roda
  - Cooler: Buah dan sayuran
  - Freezer: Daging, ikan, seafood membuat es batu

**Q600-L2S**  
(1 kompressor)

**Q1000-L4S**  
(2 kompressor)

**Q1600-L6S**  
(2 kompressor)

TYPE	DIMENSI (MM)			VOLUME (L)	WATT (220V/1P)	KOMPRESOR	RAK (Pcs)	BERAT (KG)	ORIGIN
	P	L	T						
Q600-L2S	850	760	2060	600	250	1 Buah	2	112	ORIGIN
Q1000-L4S	1290	760	2060	1000	350	2 Buah	4	167	
Q1600-L6S	1910	760	2060	1600	500	2 Buah	6	220	

## S/S GLASS DOOR UPRIGHT CHILLER



M-RW8U1G



M-RW8U2GG

### Features :

- GN2/1 design.
- Poly coated evaporator to prevent corrosion & ensure food safety.
- Removable door heater & gasket for easy maintenance.
- Removable S/S bracket & tray slide.
- Inner chamber with round corner design for easy cleaning.
- Door lock, castor & poly coated wire shelf, door heater, LED lamp.
- Full stainless-steel exterior & interior.
- Removable drop-in refrigeration system.
- Embraco Compressor.
- Digital temperature control.
- Electronic expansion valve.
- HFC245 insulation foam, Ozone friendly.
- Auto hot gas defrost with self-evaporated system.

TYPE	DIMENSI (MM)			VOLUME (L)	SUHU	WATT (220V/1P/50Hz)	SHELF (SET)	REFRIGERANT	WEIGHT (KG)	ORIGIN
	PANJANG	LEBAR	TINGGI							
M-RW8U1G	737	815	1980	550	-2~+8°C	530	3	R134a	144	RRC
M-RW8U2GG	1400	815	1980	1.170		590	6		211	

## WATER CHILLER

Sebagai air dingin untuk campuran adonan roti pada Spiral Mixer atau Mixer Bakso.

081338999983



NFL-100



NFL-200



### Fitur:

- Automatic water inlet
- Cycling water controlling system (untuk mempercepat pendinginan air)
- Stainless steel body + tank
- Terdapat Tanki Penampungan Air, untuk diambil air dinginnya, tidak disirkulasi kembali

TYPE	DIMENSI (MM)			KAPASITAS (L)	CHILLING TIME		WATT (220V/1P)	ORIGIN
	P	L	T		+3°C	+5°C		
NFL-100	700	700	1640	100	80 Min	60 Min	1.300	RRC
NFL-200	1000	800	1640	200	80 Min	60 Min	2.200	

Dirancang khusus untuk penempatan di dapur komersial, dapat beroperasi pada suhu 43°C



## S/S UPRIGHT CHILLER -2 ~ +8°C

### Fitur:

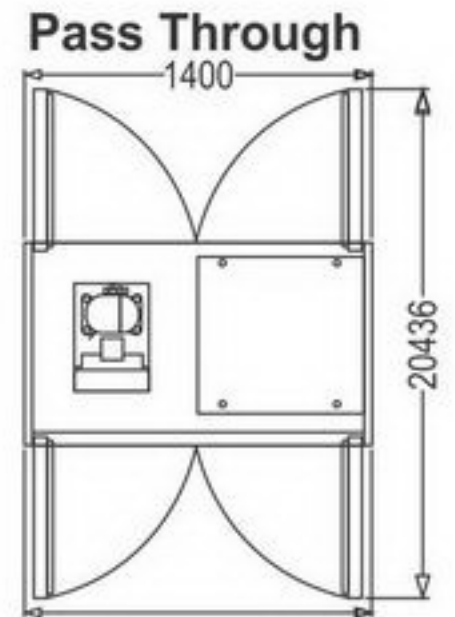
- Body full stainless steel
- Digital Temperature Control
- Automatic Back Door
- Removable drop-in air cooling system
- Automatic Defrost
- Poly coated evaporator
- Round corner design inside refrigerator (Easy to clean and hygiene)
- Adjustable feet
- GN Design
- Heating wire for door frame/gasket



M-RW8U1HH



M-RW8U2HHHH  
M-RW8U2HHHH-P (Pass Through)



TYPE	DIMENSI (MM)			VOLUME (L)	SUHU	WATT	SHELF (SET)	REFRIGERANT	WEIGHT (KG)	ORIGIN
	PANJANG	LEBAR	TINGGI							
M-RW8U1HH	737	815	1980	550	-2~+8°C	480	3	R134a	137	RRC
M-RW8U2HHHH	1400	815	1980	1.170		520	6	R134a	199	RRC
M-RW8U2HHHH-P	1400	815	1980	1.170		590	6	R134a	208	RRC

## S/S UPRIGHT FREEZER -15 ~ -22°C

### Fitur:

- Body full stainless steel
- Digital Temperature Control
- Automatic Back Door
- Removable drop-in air cooling system
- Automatic Defrost
- Poly coated evaporator
- Round corner design inside refrigerator (Easy to clean and hygiene)
- Adjustable feet
- GN Design
- Heating wire for door frame/gasket



081338999983



L-RW8U1HH



L-RW8U2HHHH

TYPE	DIMENSI (MM)			VOLUME (L)	SUHU	WATT 220V/50Hz	SHELF (SET)	REFRIGERANT	WEIGHT (KG)	ORIGIN
	PANJANG	LEBAR	TINGGI							
L-RW8U1HH	737	815	1980	550	-15~-22°C	690	3	R404a	137	RRC
L-RW8U2HHHH	1400	815	1980	1.170		950	6	R404a	199	RRC

Dirancang khusus untuk tetap bisa beroperasi walaupun bagian belakang dan samping tertutup oleh tembok atau kabinet lain

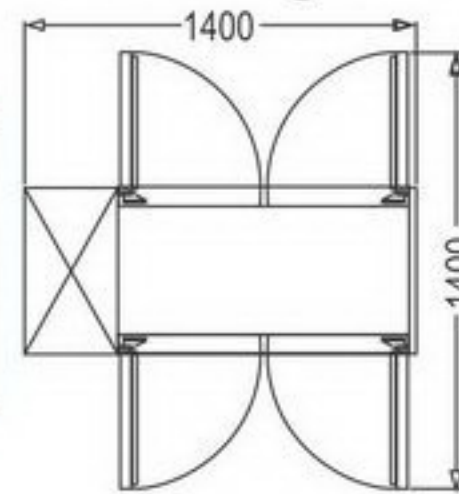
## S/S UNDER COUNTER CHILLER -2°C ~ +8°C



### Aplikasi:

Menyimpan sayuran, buah, minuman kemasan, susu

### Pass Through



M-RW6T1H



M-RW6T2HH  
M-RW7T2HH-P (Pass Through)



M-RW6T3HHH



M-RW6T4HHHH

### Features :

- GN1/1 design
- Full stainless-steel exterior & interior
- Removable cassette refrigeration system
- Embraco Compressor
- Digital temperature control
- Electronic expansion valve
- HFC245 insulation foam, Ozone friendly
- Auto hot gas defrost w/ self-evaporated system
- Poly coated evaporator to prevent corrosion & ensure food safety
- Removable door heater & gasket for easy maintenance
- Removable S/S bracket & tray slide
- Inner chamber with round corner design for easy cleaning.
- Door lock, adjustable feet & poly coated wire shelf.

TYPE	DIMENSI (MM)			VOLUME (L)	SUHU	WATT 220V/50Hz	SHELF (SET)	REFRIGERANT	WEIGHT (KG)	ORIGIN
	PANJANG	LEBAR	TINGGI							
M-RW6T1H	955	700	850	123	-2~+8°C	440	1	R134a	89	RRC
M-RW6T2HH	1420	700	850	325		460	2		108	RRC
M-RW7T2HH-P	1814	760	850	416		510	2		146	RRC
M-RW6T3HHH	1885	700	850	420		480	3		153	RRC
M-RW6T4HHHH	2350	700	850	590		490	4		178	RRC

## S/S UNDER COUNTER FREEZER -15 ~ -20°C 081338999983

### Aplikasi:

Menyimpan daging, produk seafood, nuget dll.

### Features :

- GN1/1 design
- Full stainless-steel exterior & interior
- Removable cassette refrigeration system
- Embraco Compressor
- Digital temperature control
- Electronic expansion valve
- HFC245 insulation foam, Ozone friendly
- Auto hot gas defrost w/ self-evaporated system
- Poly coated evaporator to prevent corrosion & ensure food safety
- Removable door heater & gasket for easy maintenance
- Removable S/S bracket & tray slide
- Inner chamber with round corner design for easy cleaning.
- Door lock, adjustable feet & poly coated wire shelf.



L-RW6T2HH



L-RW6T3HHH



L-RW6T4HHHH

TYPE	DIMENSI (MM)			VOLUME (L)	SUHU	WATT 220V/50Hz	SHELF (SET)	REFRIGERANT	WEIGHT (KG)	ORIGIN
	PANJANG	LEBAR	TINGGI							
L-RW6T2HH	1420	700	850	325	-15 ~ -20°C	770	2	R404a	108	RRC
L-RW6T3HHH	1885	700	850	420		780	3		137	RRC
L-RW6T4HHHH	2350	700	850	590		920	4		178	RRC

## S/S UNDER COUNTER CHILLER DRAWER SERIES



### Features :

- GN1/1 design
- Full stainless-steel exterior & interior
- Removable cassette refrigeration system
- Embraco Compressor
- Digital temperature control
- Electronic expansion valve
- HFC245 insulation foam, Ozone friendly
- Auto hot gas defrost w/ self-evaporated system
- Poly coated evaporator to prevent corrosion & ensure food safety
- Removable heater & gasket for easy maintenance
- Inner chamber with round corner design for easy cleaning.
- Adjustable feet

TYPE	DIMENSI (MM)			VOLUME (L)	SUHU	WATT 220V/50Hz	LACI	REFRIGERANT	WEIGHT (KG)	ORIGIN
	PANJANG	LEBAR	TINGGI							
M-RW6T2NN	1420	700	850	325	-2~+8°C	460	4	R134a	128	RRC
M-RW6T3NN	1885	700	850	420	-2~+8°C	480	6	R134a	186	RRC

## S/S UNDER COUNTER CHILLER DRAWER FOR GRILLER

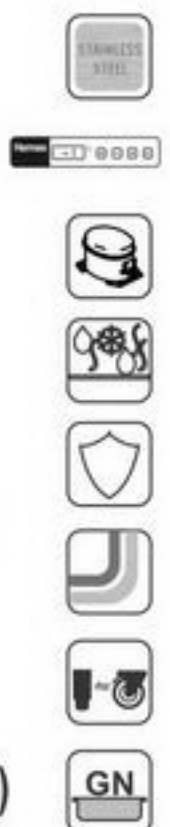
Dirancang untuk lokasi sempit dengan ketinggian hanya 55 CM supaya di atasnya bisa diletakkan alat masak seperti: Kompor, Fryer, Griller dan lainnya.



### Fitur:

- Body full stainless steel
- Digital Temperature Control
- Removable drop-in air cooling system
- Automatic Defrost
- Poly coated evaporator
- Round corner design inside refrigerator (Easy to clean and hygiene)
- Adjustable feet
- GN Design (Tidak Termasuk GN Pan)

081338999983



TYPE	DIMENSI UNIT (MM)			VOLUME (L)	WATT 220V/1P	REFRIGERANT	TEMPERATUR	LACI	BERAT (KG)	ORIGIN
	P	L	T							
T-W6T2NN	1602	660	550	201	430	R134a	+2~+8°C	2	130	RRC
T-W6T3NN	2060	660	550	310	440	R134a	+2~+8°C	3	160	RRC



PW-10



PW-20

**Fitur:**

- Stainless steel body
- Digital Temperature Control
- Removable drop-in air cooling system
- Automatic Defrost
- Poly coated evaporator
- Round corner design inside refrigerator (Easy to clean and hygiene)
- Adjustable feet
- GN Design (Tidak Termasuk GN Pan)
- Sliding acrylic cover



TYPE	DIMENSI UNIT (MM)			GN PAN (GN 1/3-4)	VOLUME (L)	WATT 220V/1P	REFRIGERANT	TEMPERATUR	BERAT (KG)	ORIGIN
	P	L	T							
PW-10	1152	760	1050	5	195	420	R134a	+2~+8°C	120	RRC
PW-20	1815	760	1050	9	416	450	R134a	+2~+8°C	163	RRC

coolers



SC-03-2D



SC-04-3D

081338999983

Sudah termasuk GN Pan 1/1-4

**Fitur:**

- Stainless steel body
- Digital Temperature Control
- Push-pull refrigerant unit
- Draining system
- Self-closing door
- Wide round edge and cornes
- GN 1/1 container
- Adjustable feet

TYPE	DIMENSI (MM)			VOLUME (L)	SUHU	WATT 220V/50Hz/1P	GN PAN	REFRIGERANT	WEIGHT (KG)	ORIGIN
	PANJANG	LEBAR	TINGGI							
SC-03-2D	1045	700	850	310	0~+10°C	270	3 x GN1/1-4	R134a	86	RRC
SC-04-3D	1360	700	850	390		340	4 x GN 1/1-4		102	RRC

## S/S BACK BAR BOTTLE COOLER +4 ~ +10°C



### Fitur:

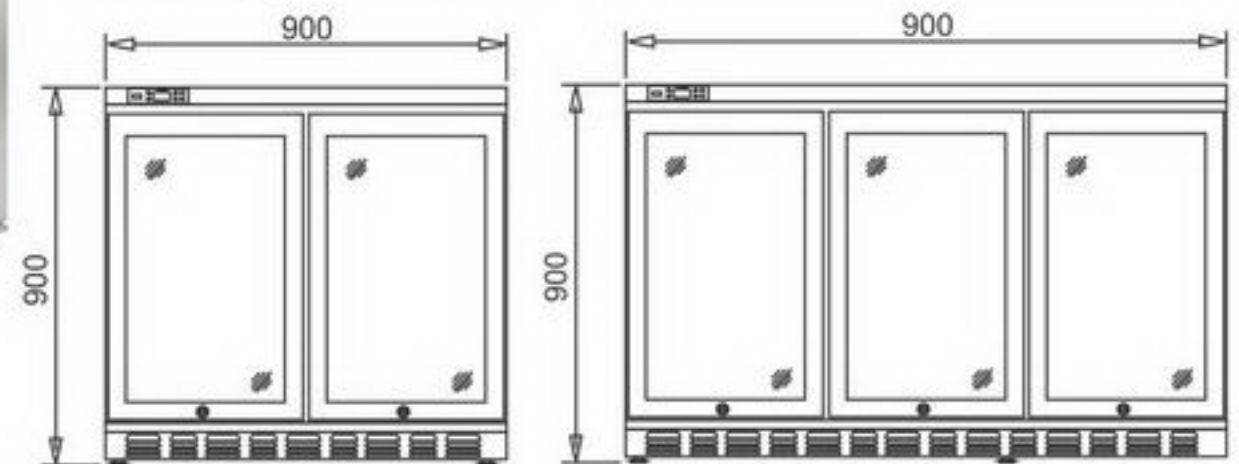
- Sirkulasi udara panas di depan, cocok untuk peletakan menempel pada tembok
- Digital thermostat
- Lampu interior
- Body Stainless Steel



BB-W5T2



BB-W5T3



TYPE	DIMENSI (MM)			VOLUME (L)	KAPASITAS BOTOL (330ml)	WATT (220V/1P)	REFRIGERANT	BERAT (KG)	ORIGIN
	P	L	T						
BB-W5T2	900	530	900	180	105 botol & 65 kaleng	260	R134a	90	RRC
BB-W5T3	1350	530	900	277	167 botol & 105 kaleng	440	R134a	110	RRC

## GLASS DOOR S/S UNDER COUNTER -2~+8°C

Menyimpan : Sayuran, buah, minuman kemasan, susu



M-RW6T1D



M-RW6T2DD



M-RW6T3DDD



M-RW6T4DDDD

### Features :

- GN1/1 design
- Full stainless-steel exterior & interior
- Removable cassette refrigeration system
- Embraco Compressor
- Digital temperature control
- Electronic expansion valve
- HFC245 insulation foam, Ozone friendly
- Auto hot gas defrost w/ self-evaporated system
- Poly coated evaporator to prevent corrosion & ensure food safety
- Removable door heater & gasket for easy maintenance
- Removable S/S bracket & tray slide
- Inner chamber with round corner design for easy cleaning.
- Door lock, adjustable feet & poly coated wire shelf, door heater, LED lamp.

TYPE	DIMENSI (MM)			VOLUME (L)	SUHU	WATT 220V/50Hz	SHELF (SET)	REFRIGERANT	WEIGHT (KG)	ORIGIN
	PANJANG	LEBAR	TINGGI							
M-RW6T1D	955	700	850	123	-2~+8°C	440	1	R134a	89	RRC
M-RW6T2DD	1420	700	850	325		460	2		118	RRC
M-RW6T3DDD	1885	700	850	420		480	3		148	RRC
M-RW6T4DDDD	2350	700	850	590		490	4		220	RRC

for more information, please contact us:



**UD. SUMBER REJEKI (balicoolers.com)**

THE BEST PROVIDER FOR YOUR REFRIGERATION AND KITCHEN EQUIPMENT

**HEAD OFFICE AND SHOWROOM**

Jl. Gatot Subroto Barat No. 439 Denpasar Bali

081338999983 (HP / WA / SMS)

sumberrejekibali@gmail.com

balicoolers@gmail.com

info@balicoolers.com